

AXIS 214 PTZ Network Camera

*Day & night camera with
pan/tilt/zoom and audio*

AXIS 214 PTZ Network Camera is a high performance camera for professional surveillance and remote monitoring. It combines a high quality color camera with the flexibility of remote pan/tilt/zoom operations. Incorporating an 18x optical motorized lens with auto focus, the AXIS 214 PTZ allows the user to zoom in on a small or distant object with exceptional clarity. The movability of the camera enables it to cover a wide field of view.

With automatic day/night functionality and the highly light sensitive CCD, this camera provides perfect color images in low-light conditions as well as sharp black and white pictures in extremely poor lighting conditions. The built-in audio support enables remote users to not only view, but also listen in on an area and communicate orders or requests to visitors or intruders, thereby increasing the monitoring options.

Pre- and post-alarm image buffering, video motion detection, scheduled and triggered event functionality with alarm notification together with two-way audio makes the AXIS 214 PTZ ideal for remotely monitoring people and property. This network camera is designed for use in mid-sized businesses, such as retail stores and supermarkets, transmitting images over the local area network or the Internet.



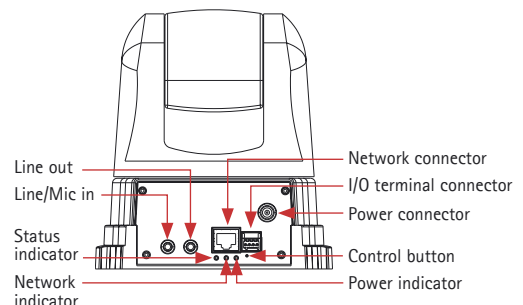
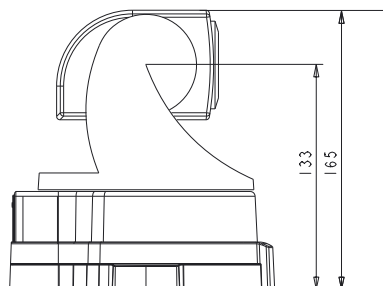
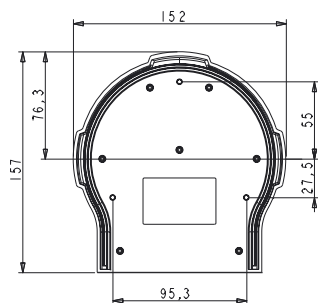
- Pan and tilt camera with 18x optical zoom and auto focus
- Automatic day and night functionality
- Two-way audio
- Simultaneous MPEG-4 and Motion JPEG
- High-resolution camera with 720x576 pixels PAL, 720x480 NTSC

AXIS 214 PTZ Network Camera



Specifications

Models	AXIS 214 PTZ 50 Hz (PAL) AXIS 214 PTZ 60 Hz (NTSC)	Power	12 V DC, max 14 W
Image sensor	1/4" Sony ExView HAD CCD	Operating conditions	5 - 45 °C (41 - 113 °F) Humidity 20 - 80% RH (non-condensing)
Lens	18x zoom, auto focus F1.4, 4.1 - 73.8 mm, horizontal viewing angle 2.7° - 48° Focus range: 10 mm (wide) or 800 mm (tele) to infinity	Installation, management and maintenance	AXIS Camera Management tool on CD and web-based configuration Configuration of backup and restore Firmware upgrades over HTTP or FTP, firmware available at www.axis.com
Minimum illumination	Color mode: 0.3 lux at F1.4, 30IRE Black/white mode: 0.005 lux at F1.4, 30IRE	Video access from Web browser	Camera live view, sequence tour capability for up to 20 Axis video sources, customizable HTML pages
Video compression	Motion JPEG MPEG-4 Part 2 (ISO/IEC 14496-2), Profiles: ASP and SP	Minimum Web browsing requirements	Pentium III CPU 500 MHz or higher, or equivalent AMD 128 MB RAM AGP graphic card, Direct Draw, 32 MB RAM Windows XP, 2000, NT4.0*, ME* or 98*, DirectX 9.0 or later Internet Explorer 5.x or later For other operating systems and browsers see www.axis.com/techsup <i>* Motion JPEG only</i>
Resolutions	Resolutions 4CIF, 2CIFExp, 2CIF, CIF, QCIF max 704x480 (NTSC) 704x576 (PAL) min 160x120 (NTSC) 176x144 (PAL)	System integration support	Powerful API for software integration available at www.axis.com including HTTP API, AXIS Media Control SDK, event trigger data in video stream, embedded scripting and access to serial port peripherals over HTTP/TCP. Watchdog secures continuous operation, can be monitored by other systems via event notification Embedded operating system: Linux 2.4
Frame rate	Motion JPEG: Up to 30/25 fps at 4CIF MPEG-4: Up to 30/25 fps at 2CIF	Supported protocols	IP, HTTP, HTTPS, SSL/TLS*, TCP, ICMP, SNMPv1/v2c/v3 (MIB-II), RTSP, RTP, UDP, IGMP, RTCP, SMTP, FTP, DHCP, UPnP, ARP, DNS, DynDNS, SOCKS, NTP etc. More information on protocol usage available at www.axis.com <i>* This product includes software developed by the Open SSL Project for use in the Open SSL Tool kit (www.openssl.org)</i>
Video streaming	Simultaneous Motion JPEG and MPEG-4 Controllable frame rate and bandwidth Constant and variable bit rate (MPEG-4)	Video management software (not incl.)	AXIS Camera Station - Surveillance application for viewing, recording and archiving up to 25 cameras AXIS Camera Explorer - Basic software for viewing and manual recording See www.axis.com/partner/adp_partners.htm for more software applications via partners
Image settings	Compression levels: 11 (Motion JPEG) /23 (MPEG-4) Rotation: 90°, 180°, 270° Aspect ratio correction Backlight compensation, brightness, sharpness, exposure and white balance Configurable IR cut filter Auto/Day/Night Overlay capabilities: time, date, text or image De-interlace (4 CIF resolution)	Included accessories	Ceiling mount kit, Installation Guide. CD with User's Manual, demo software, installation and management tools, connector kit, MPEG-4 licenses (1 encoder, 1 decoder), MPEG-4 decoder (Windows) Indoor power supply 12 V, 3 A
Pan/Tilt/Zoom	Pan: ±170°, Max speed 100°/sec Tilt: -30° to 90°, Max speed 90°/sec Zoom: 18x optical, 12x digital (216x in total) 20 preset positions	Accessories (not incl.)	IP 65-rated dome housing for outdoor installation, AXIS MPEG-4 Decoder 10 user license pack
Shutter time	1 to 1/10 000 sec	Approvals	EN55022 Class A, EN 55024, EN61000-3-2, EN61000-3-3, EN61000-6-1, EN61000-6-2, FCC Part 15 Subpart B Class A, VCCI Class A, C-tick AS/NZS CISPR 22, ICES-003 Class A, EN60950 UL, CSA (Power supply)
Audio	Two-way, full duplex G.711 PCM 64kbit/s, G.726 ADPCM 32 or 24 kbit/s	Maximum dimensions (HxWxD) and weight	179 x 152 x 157 mm (7 ¹ / ₃₂ x 5 ³¹ / ₃₂ x 6 ³ / ₁₆) 1110 g (2 ⁷ / ₁₆ lbs)
Security	Multiple user access levels with password protection, IP address filtering, HTTPS encryption		
Users	20 simultaneous users Unlimited number of users using multicast (MPEG-4)		
Alarm and event management	Events triggered by built-in multi-window motion detection, external inputs or according to a schedule Image upload over FTP, email and HTTP Notification over TCP, email, HTTP and external output Pre- and post alarm buffer of 9 MB (approx 5 min of QCIF resolution video at 4 frames per sec)		
Connectors	Ethernet 10BaseT/100BaseTX, RJ-45 Terminal block for 1 alarm input, 1 output and alternative power connection Audio connector: Line/mic in: Pink, 3,5mm tele jack Line out: Lime, 3,5mm tele jack		
Processors and memory	CPU: ETRAX 100LX 32bit Video processing and compression: ARTPEC-2 RAM: 32 MB, Flash: 8 MB Battery backed-up real-time clock		



www.kintronics.com

AXIS
COMMUNICATIONS
Make your network smarter