

AXIS 216FD

Fixed Dome Network Camera

Professional, discreet camera for indoor video and audio surveillance

The AXIS 216FD Fixed Dome Network Camera is a high-performance camera for professional indoor surveillance and remote monitoring. It offers a discreet, compact and cost-efficient solution with effective protection against tampering. AXIS 216FD allows for easy and flexible installation on a wall or ceiling and versatile adjustment by panning, tilting and rotating the varifocal lens to any camera angle.

AXIS 216FD provides two-way audio support, including the option of using a built-in microphone. This enables remote users not only to view, but also to listen in on an area and communicate orders or requests to visitors or intruders. Thanks to its high-quality progressive scan sensor and advanced image processing, this camera delivers crisp and clear images also in low-light conditions. Supported by the industry's largest base of video management software, the AXIS 216FD provides the perfect solution for securing shops and stores, schools, banks and other office buildings over the local area network or across the Internet.

The built-in support for Power over Ethernet (IEEE 802.3af) enables power to be delivered to the camera via the network, reducing installation costs by eliminating the need for power outlets. In addition, the consolidation of power gives higher reliability if connected to a central Uninterruptible Power Supply (UPS). The AXIS 216FD also offers a comprehensive set of network security features such as multi-level password protection, IP address filtering and HTTPS encryption.



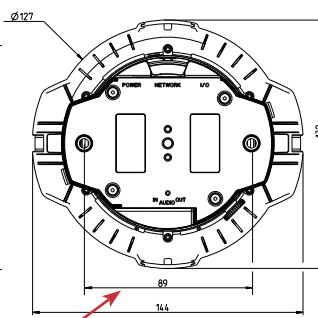
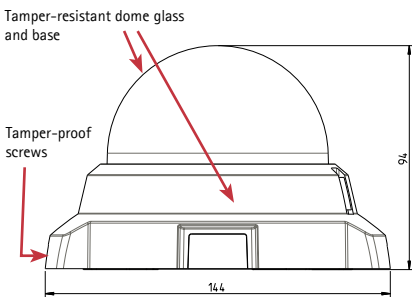
- Discreet and compact design, effectively protecting against tampering
- Superior image quality with progressive scan and 30 frames per second in VGA
- Simultaneous Motion JPEG and MPEG-4 for optimized quality and bandwidth
- Two-way audio support including built-in microphone and audio detection alarm
- Power over Ethernet for reduced cabling and consolidated power
- Multi-window motion detection with alarm image buffering

AXIS 216FD Fixed Dome Network Camera

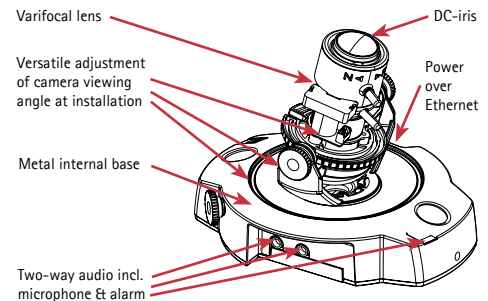


Specifications

Image Sensor	1/4" Micron progressive scan RGB CMOS	Processors, memory and clock	CPU, video processing and compression: ARTPEC-A RAM: 32 MB, Flash: 8 MB Battery backed-up real-time clock
Lens	Fujinon, F1.3 varifocal 2.8-10 mm, DC-iris, horizontal viewing angle: 73°-20°, focus range: 0.3 m to infinity	Power	5.1 V DC max 3.6 W, or Power over Ethernet (IEEE 802.3af) with power classification: Class 1 (max 3.84 W)
Camera angle adjustment	pan ±180°, tilt ±85°, rotation ±170°	Operating conditions	0 - 50 °C (32 - 122 °F) Humidity 20 - 80% RH (non-condensing)
Minimum illumination	Color mode: 1 lux, F1.3	Installation, management and maintenance	AXIS Camera Management tool on CD and Web-based configuration, configuration of backup and restore Firmware upgrades over HTTP or FTP, firmware available at www.axis.com
Video compression	Motion JPEG MPEG-4 Part 2 (ISO/IEC 14496-2) with motion estimation, Profiles: Advanced Simple Profile and Simple Profile	Video access from Web browser	Camera live view, sequence tour capability for up to 20 Axis video sources, customizable HTML pages
Resolutions	9 resolutions from 640x480 to 160x120 via API, 6 selections via configuration Web page	Minimum Web browsing requirements	Pentium III CPU 500 MHz or higher, or equivalent AMD 128 MB RAM AGP graphic card, Direct Draw, 32 MB RAM Windows XP, 2000, NT4.0*, ME* or 98*, DirectX 9.0 or later Internet Explorer 5.x or later For other operating systems and browsers see www.axis.com/techsup <i>* Motion JPEG only</i>
Frame rate	Up to 30 frames per sec in VGA (Motion JPEG and MPEG-4)	System integration support	Powerful API for software integration available at www.axis.com , including AXIS VAPIX API, AXIS Media Control SDK, event trigger data in video stream and embedded scripting Watchdog secures continuous operation, can be monitored by other systems via event notification Embedded operating system: Linux 2.6
Video streaming	Simultaneous Motion JPEG and MPEG-4 Controllable frame rate and bandwidth Constant and variable bit rate (MPEG-4)	Supported protocols	IP, HTTP, HTTPS, SSL/TLS*, TCP, ICMP, SNMPv1/v2c/v3 (MIB-II), RTSP, RTP, UDP, IGMP, RTCP, SMTP, FTP, DHCP, UPnP, Bonjour, ARP, DNS, DynDNS, SOCKS, NTP etc. More information on protocol usage available at www.axis.com <i>* This product includes software developed by the Open SSL Project for use in the Open SSL Tool kit (www.openssl.org)</i>
Image settings	Compression levels: 100 Rotation: 0°, 180° Configurable color level, brightness, sharpness, contrast, white balance, exposure control Overlay capabilities: time, date, text, image or privacy mask	Video management software (not incl.)	AXIS Camera Station - Surveillance application for viewing, recording and archiving up to 25 cameras See www.axis.com/partner/adp_partners.htm for more software applications via partners
Shutter time	1/4 sec to 1/15000 sec	Included accessories	Installation Guide, CD with User's Manual, demo software, installation and management tools, mounting and connector kits, power supply 5.1 V DC, MPEG-4 licenses (1 encoder, 1 decoder), MPEG-4 decoder (Windows)
Audio	Configurable for built-in or external microphone Audio compression - Audio in: AAC LC 8-32 kbit/s, G.711 PCM 64 kbit/s, G.726 ADPCM 32 or 24 kbit/s - Audio out: G.711 PCM 64 kbit/s, G.726 ADPCM 32 or 24 kbit/s Half duplex, simplex or audio off Audio alarm at a configurable detection level	Accessories (not incl.)	Polycarbonate smoked dome glass
Security	Multiple user access levels with password protection, IP address filtering, HTTPS encryption	Approvals	EN55022 Class B, EN55024, EN61000-3-2, EN61000-3-3, FCC Part 15 Subpart B Class B, VCCI Class B, ICES-003 Class B, C-tick AS/NZS CISPR 22, EN60950 UL, CSA (power supply)
Users	20 simultaneous users Unlimited number of users using multicast (MPEG-4)	Dimensions (H x W x D) and weight	94 x 144 x 132 mm (3.7" x 5.7" x 5.2") Weight: 425 g (15 oz) excl. power supply
Alarm and event management	Events triggered by built-in multi-window motion detection, audio detection, external input or according to a schedule Image upload over FTP, email and HTTP Notification over TCP, email, HTTP and external output Pre- and post alarm buffer of 9 MB (approx 5 min of 320x240 resolution video at 4 frames per sec)		
Connectors	Ethernet 10BaseT/100BaseTX, RJ-45 Mini DC power jack Terminal block for 1 alarm input and 1 output 3.5 mm jack for Mic in (max 80 mVpp) or Line mono input (max 6.4 Vpp), 3.5 mm jack for Line mono output (max 1.3 Vpp) to active speaker		
Casing	Tamper-resistant casing Polycarbonate clear dome glass Polycarbonate base Tamper-proof mounting on wall, hard or drop ceiling		



Measure between mounting screws. For mounting on wall, hard or drop ceiling



©2006, Axis Communications AB. The Axis logo is a registered trademark of Axis Communications AB. All other company names and products are trademarks or registered trademarks of their respective companies. We reserve the right to introduce modifications without notice.

26312/EN/R/1/0602