

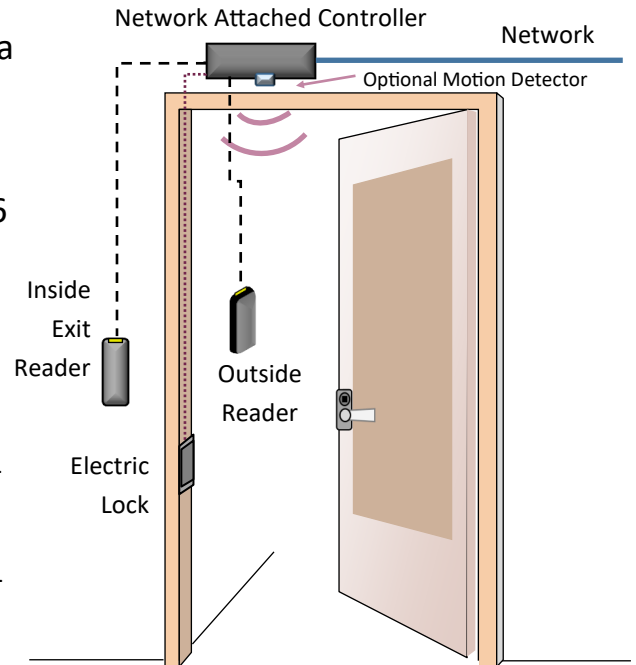
Door Access Control

Controller and Reader Kit

This kit includes the Hartmann door controller and a door reader. You can select door reader that supports RFID proximity credentials or supports Bluetooth with a mobile app, as well as Smartcard 13.56 MHz credentials.

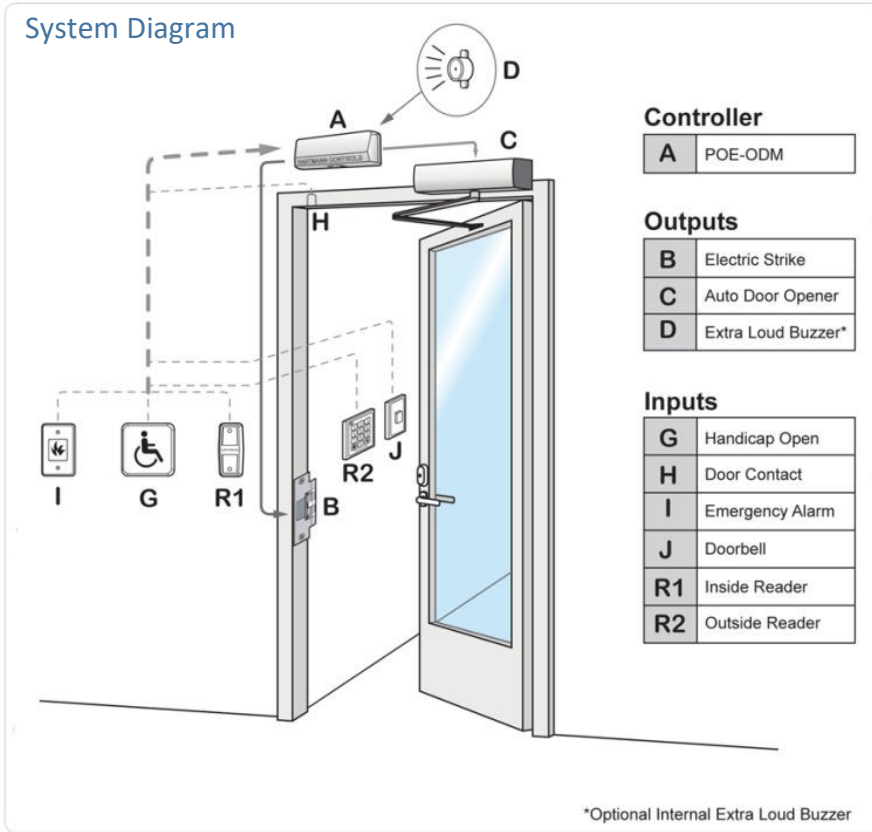
The controller connects to the network and is powered using PoE. It supports single reader or back-to-back readers. Also available as a two-door system. The door controller connects to the network and is powered using PoE, making this very easy to install and expand.

The door controller is mounted in an ABS enclosure. It is designed to be mounted above the secure side of the door. It has an optional built in PIR sensor for request to exit.



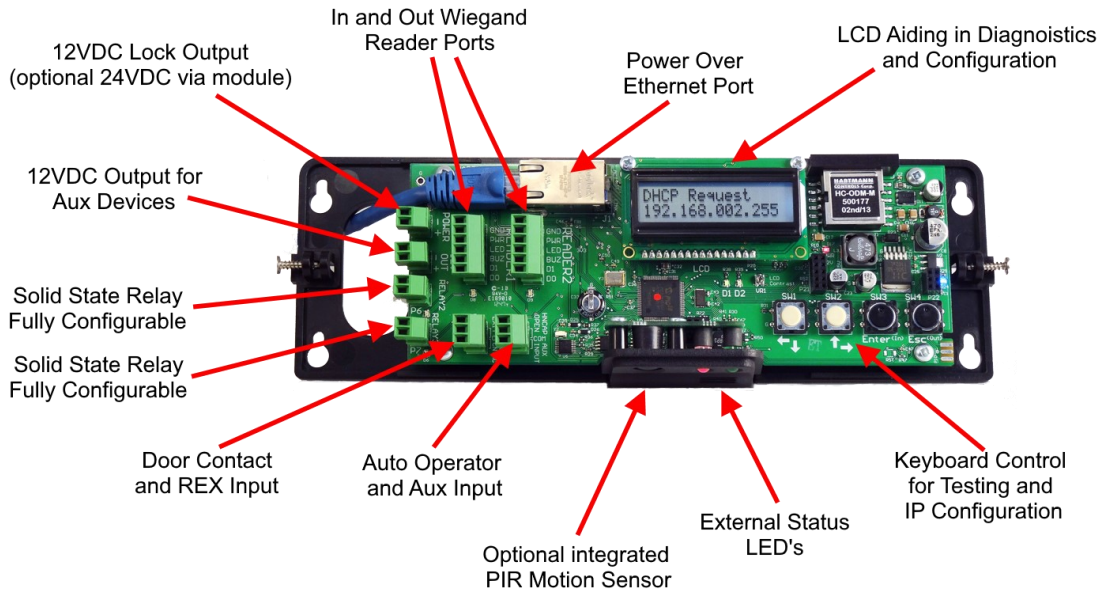
Features include:

- This very flexible controller can mount on top of the door and provide a built-in motion detection function.
- The door controller supports one or two readers. You can select inside and outside readers, with or without motion detection, or two door control.
- Operates even if the network is down (as long as the controller has power).
- The same controller modules can be ganged together inside a central control box that can be used to retrofit older door access control systems.
- The controller provides power for the electric lock.
- Includes an optional built-in motion detector that can provide the Request to Exit (REX) function.
- The controller can control two readers (inside and outside the door) or two separate doors.
- Integrates with many fire alarm systems
- 256-Bit AES Encryption: Protects data at a level often required by high security environments such as financial, military, municipal and hi-tech organizations
- Includes integration with Video Surveillance Systems, elevator control, and fire alarm systems



Specs on following pages ...

Hartmann Controller Specifications



Inputs:

- 4 x Fully configurable Inputs including supervised or digital input setting, includes door contact, exit button, external request to exit motion etc.
Wire Gauge/Type: 2-conductor stranded 22 AWG, Shield: Recommended, Length: up to 152 m or 500 ft.
- 2 x Wiegand Reader Inputs

Outputs:

- 1 x Lock relay - supply power (12V, 500mA) to the lock, Over current protection
- 2 x Solid State Relay (TVS circuit limits 24V), 1A limit.
Wire Gauge/Type: 2-conductor stranded 18 AWG, Length: up to 152 m or 500 ft.

Schedules:

- Unlimited Door Time Zones (20 zones per time zone)
- 256 User Time Zones
- 32 One-Time Special Event Door Time Zones (single zone)
- 50 Door/User Holiday Groups

Users:

Holds 100,000 cardholders

Events:

Holds 50,000 events

Display:

- 2 line x 16 character LCD Display
- 1 heartbeat LED
- 1 on/off line indication LED
- 2 power LED's
- 3 relay output indication LED's
- 2 reader LED's
- 2 network LED's

Time:

- Maintains up to 1 month without power connection
- No battery needed
- Automatic DST switch

Misc:

- Sound : Piezo buzzer
- 32-bit microprocessor
- Remote firmware upgradable
- Optional Passive Infrared sensor built into enclosure as request to exit

Dimensions: 10" x 2.2" x 3.5"

Communication: Between each controller and Access Control Management web server: Ethernet 10/100 Mbps

Power Input: 1 x RJ45 Power Over Ethernet (PoE) Port - IEEE 802.3af PoE standard (15.4 W)

Choice of Readers



Frequency: 125 KHz, 13.56 MHz or Bluetooth® (Low Energy)

Interface: Wiegand

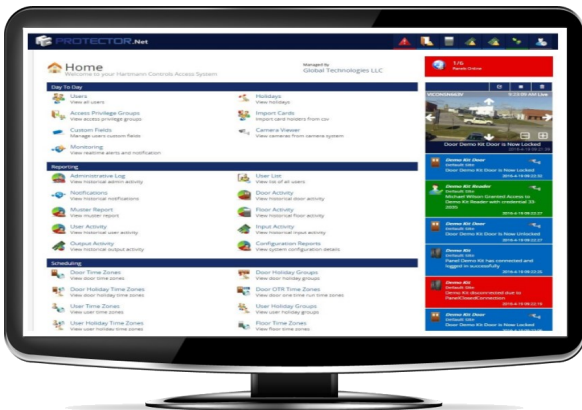
Reader Available: mullion and wall style RFID Proximity, with and without keypads, biometric and Bluetooth connected smartphone credentials

Weatherproof: Indoor or outdoor rating

This kit includes one of the many door readers that are supported by the access controller.

Select standard RFID, Bluetooth, or biometric readers depending on your requirement.

Management Software



Features of Door Access Software

- Administer your Access Control System from any Browser-Enabled Device: Tablet, Smartphone, laptop or PC
- Easy Video integration into many video management software systems (VMS).
- Our unique communication protocols allow the controllers to broadcast and reach out for the web server rather than the other way around as so many other systems employ. This eliminates Port Forwarding
- Intuitive, easy to use action plan editor allows you to create complex action plans in minutes
- Advanced logic functions provides complex branching action plans to meet your business needs. Over 40 customizable actions including HTTP requests, door overrides, SMS messaging and emails actions
- Flexible trigger engine allows you to trigger action plans from door, input, output state changes, or trigger action plans upon scheduled times
- Elevator Control
- Active Directory support, on both the administrator levels as well as cardholder/user levels.

Overview of Door Access Software

The door access control software allows you to control a very large number of doors and the people that use them. It provides advanced functions such as logic if-then functions, and allows you to control elevators, visitors, and integrates with IP camera systems

Models (Examples)

- SDC-XB-BTKit** Door kit includes controller and multi-credential reader. Reader supports Bluetooth credential, and RFID credentials (13.56 MHz Smartcard).
- SDC-MB-BTKit** Door kit includes Single Door POE Controller and multi-credential reader and integrated PIR / REX in black enclosure. Reader supports Bluetooth credential, and RFID credentials (13.56 MHz Smartcard).
- SDC-XB-RF100Kit** Door kit includes Single Door POE Controller and RF100P RFID reader in black enclosure. Reader supports proprietary credential, 125KHz).
- SDC-MB (W)** Single Door Controller with Motion Detector, Black (White)
- SDC-XB (W)** Single Door Controller, black (White) Note: no motion detector
- TDC-MB (W)** Two Door Controller with Motion Detector, Black (White)
- TDC-XB (W)** Two Door Controller, black (White) Note: no motion detector

Note: For more details, please contact us at 800-431-1658 in the USA, or at 914-944-3425 everywhere else, or see our website at www.kintronics.com

KINTRONICS
IP Security Solutions

500 Executive Blvd. Ossining, NY 10562 800-431-1658, 914-944-3425, www.kintronics.com