

KNTOP-800-IP-40X

- LONG RANGE PTZ
- 4K (8MP), 52X OPTICAL ZOOM (15-775MM)
- AISI316L STAINLESS STEEL CONSTRUCTION
- ELECTRONIC IMAGE STABILIZER
- OPTICAL-DEFOG, OPTICAL HEAT HAZE REDUCTION
- INTEGRATED WIPER
- ONVIF
- EDGE RECORDING



TECHNICAL SPECIFICATIONS

GENERAL & MECHANICAL

Dimensions	See dimensions drawings
Operating Temperature	-30°C +60°C (-22°F +140°F)
Construction	AISI316L Stainless Steel
Finish	Electro-polished
Mounting	4x Ø11 on 235 PCD
Cable entries	2x M25x1,5 cable entry
Wiper	Yes
Pan Angle	360° (continuous rotation)
Pan Speed	0 – 10°/second
Pan Torque	80 Nm (limited with safety device)
Tilt Angle	180° (+/-90°)
Tilt Speed	0 – 4°/second
Tilt Torque	80 Nm (limited with safety device)
Rotation angle	Electronically adjustable limit switches
Backlash	<0,1°
Max preset accuracy	0,01°
Control protocol	Pelco D (RS485)
Weight	Unit: 64Kg e il lordo 69Kg

ELECTRICAL

Thermostatically controlled heater	T[°C] ON = 12 ± 4°C, T[°C] OFF = 20 ± 3°C
Available voltages	24VAC, 230VAC (+/-10%)
Power consumption	160W MAX

CERTIFICATIONS

Ingress Protection	EN60529 (IP66/IP67)
EMC	EEN 55032; EN 55035; EN 50130-4; EN/IEC 61000-3-2; EN 61000-3-3; EN/IEC 61000-6-2; EN/IEC 61000-6-4
LVD	EN/IEC 62368-1
RoHS	2011/65/EU + 2015/863/EU (RoHS 3)
WEEE	2012/19/EU

VIDEO/CAMERA

Sensor	1/1.8" Sony Progressive CMOS
Resolution	- Up to 3840x2160, 4K (H.264/H.265) - Up to 1920x1080, 2MP (MJPEG)
Compression	H.265/H.264/MJPEG
Streaming	Up to 3 configurable streams
Frame Rate	- 4K: 25/30fps (H.264/H.265) - 2MP: 25/30fps (MJPEG)
Focus Settings	Auto/Manual/Semi-Auto
Sensitivity	Color 0.05lux (at F2.8), AGC ON)
Shutter Speed	1 to 1/30000 s
Optical Filter	Auto (ICR), Manual (Color, B/W)
White Balance	Auto, Manual, Indoor, Outdoor, ATW, Sodium Lamp, Natural, Street Lamp, One Push
Dynamic range	WDR
Lens	52x Autofocus Optical Zoom, 16x Digital Zoom, 15-775mm, F2.8-8.2 Min Focus Distance 1m/10m (Wide/Tele)
FOV	Horizontal: 28.7° (Wide), 0.57° (Tele) Vertical: 16.4° (Wide), 0.32° (Tele)

Analytics	Tripwire, Intrusion Detection, Loitering
Image settings	Saturation, Brightness, Contrast, Sharpness, Gamma
Event Triggers	Motion Detection, Tamper Detection, Scene Changing, SD Card, Network, Illegal Access
Edge Recording	microSD (card not provided)
Gain	AGC
SNR	>55dB (AGC OFF, Weigth ON)
Noise Reduction	2D/3D
Image Stabilization	EIS
Image Filters	Electronic/Optical Defog, Optical Heat Haze Reduction

NETWORK

Interface	100BASE-TX
Security	Illegal Access Detection
ONVIF	ONVIF
Protocols	IPv4/v6, TCP, UDP, RTP, RTSP, HTTP

MODELS

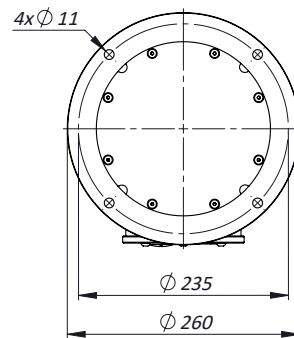
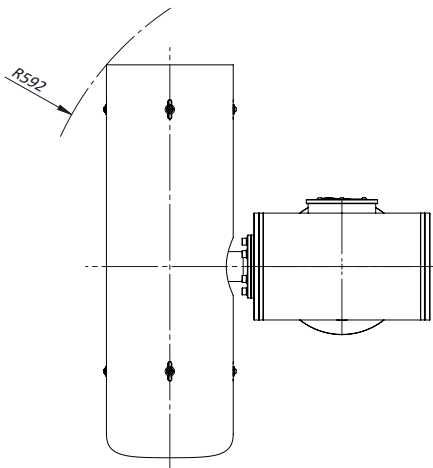
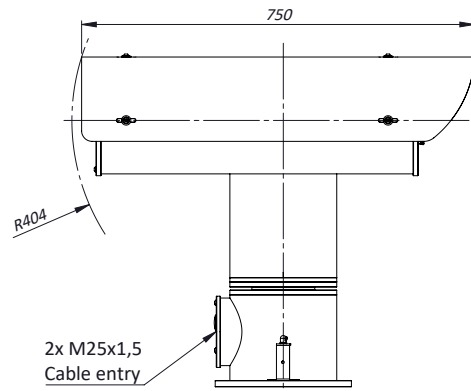
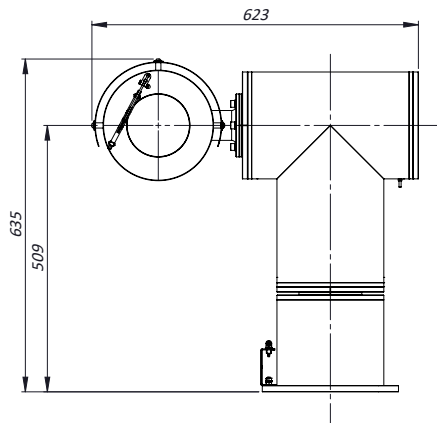
KNTOP-800-IP-40X-24VAC Long Range PTZ Camera Station, 24VAC

KNTOP-800-IP-40X-230VAC Long Range PTZ Camera Station, 230VAC

PRE-ASSEMBLED CABLE TAILS

KSAUCCT3-B	3 meters composite cable tail (power, CAT6A, data) with two M25 nickel-plated brass glands
KSAUCCT5-B	5 meters composite cable tail (power, CAT6A, data) with two M25 nickel-plated brass glands
KSAUCCT10-B	10 meters composite cable tail (power, CAT6A, data) with two M25 nickel-plated brass glands

DIMENSIONS



Dimensions in millimetres - Tolerances according QMS - Design and products specifications subject to change without notice - rev. 20240627